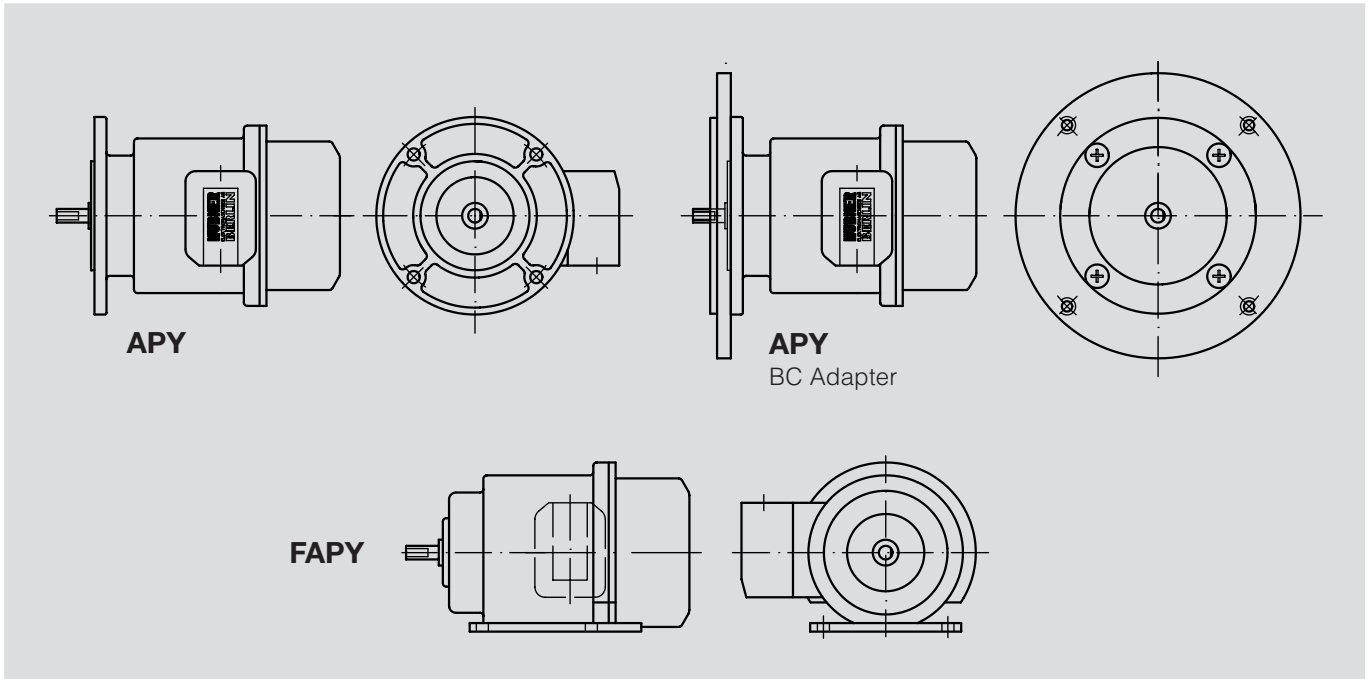


HÜBNER Analog-Tachos

LongLife® dc tachometers

Installation and operating instructions



Important Notice

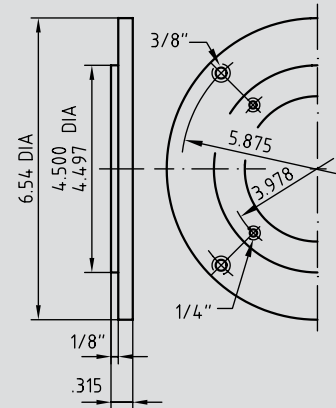
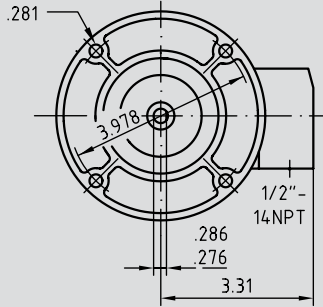
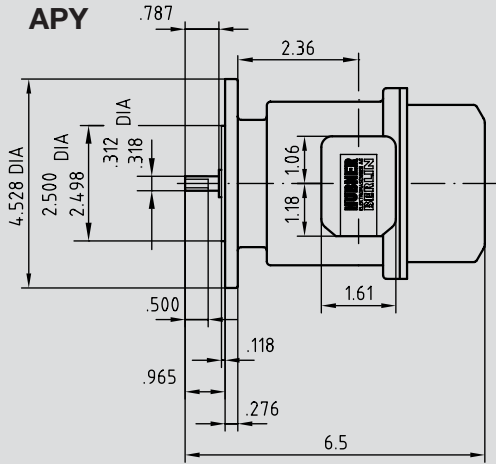
- Analog-Tachos (dc tachometers) are **precision speed measurement devices**, which must be handled by skilled personnel with care during transportation, mounting and operation.
- The Analog-Tachos APY/ FAPY with solid shaft are driven via a torsionally stiff, flexible coupling (e.g. Hübner spring disk coupling K35) which should be slid onto the shaft with minimum axial pressure. If shaft eddy currents occur in the motor shaft, it is recommended to use an insulated coupling like the Hübner spring disk coupling K 35 with insulated hub.
- **Hammering** the coupling on the shaft is not permitted because the ball bearings may be damaged.
- Shafts with a key are dynamically balanced in the factory. Therefore drives elements like couplings or pulleys must be balanced on a smooth mandrel without key.
- LongLife® dc tachogenerators are **free of maintenance**. The expected **operating life** is governed by the **ball bearings**, which are manufactured with a permanent lubrication. Repair or maintenance requiring dismantling should be carried out by the manufacturer.
- The devices are manufactured according to **quality standard** DIN ISO 9001, **EU Declaration of Conformity** meeting Council Directive 89/336/EEC art. 10 and annex 1 (EMC Directive).

Type	Pairs	Carbon brushes		Ball bearings (1 set)		
		Part no.	*min. length (mm)	DE	NDE	Part no.
APY	2	S 7 / H 7: ET.02.1057	5,3	6002	6000	ET.05.1015
FAPY	2					

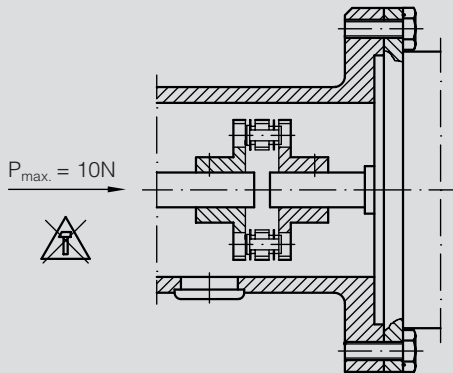
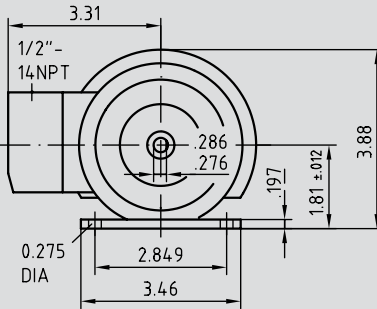
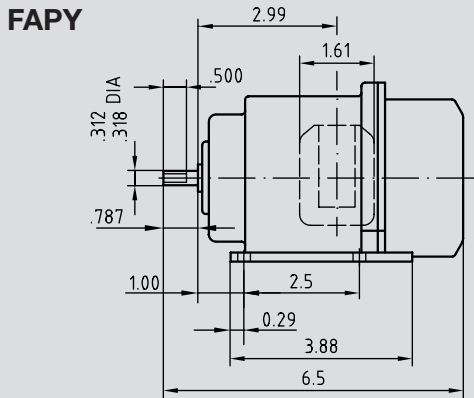
* When the minimum brush length is reached, the brushes should be replaced and the commutator area should be cleaned with dry compressed air in order to ensure proper operation.

Detailed specifications of all individual products are available.

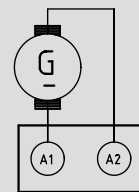
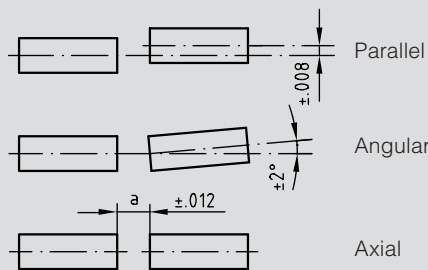
LongLife-DC-Tachometer



BC Adapter



Max. admissible mounting errors



Polarity for clockwise rotation of the drive, viewing mounting face

apy-fapy-us_mb - 03A1