

Single Inlet Centrifugal Fan

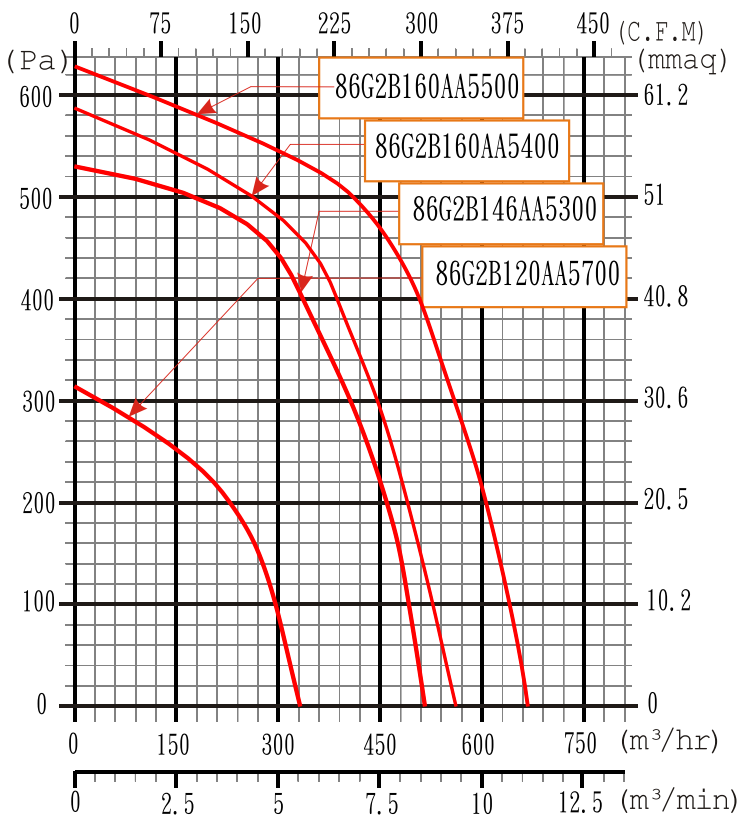
110V 2 & 4 Pole Performance

Ball Bearings
 Insulation F class
 Protection IP 44
 Material: Steel Impeller
 Steel Painted Black Scroll

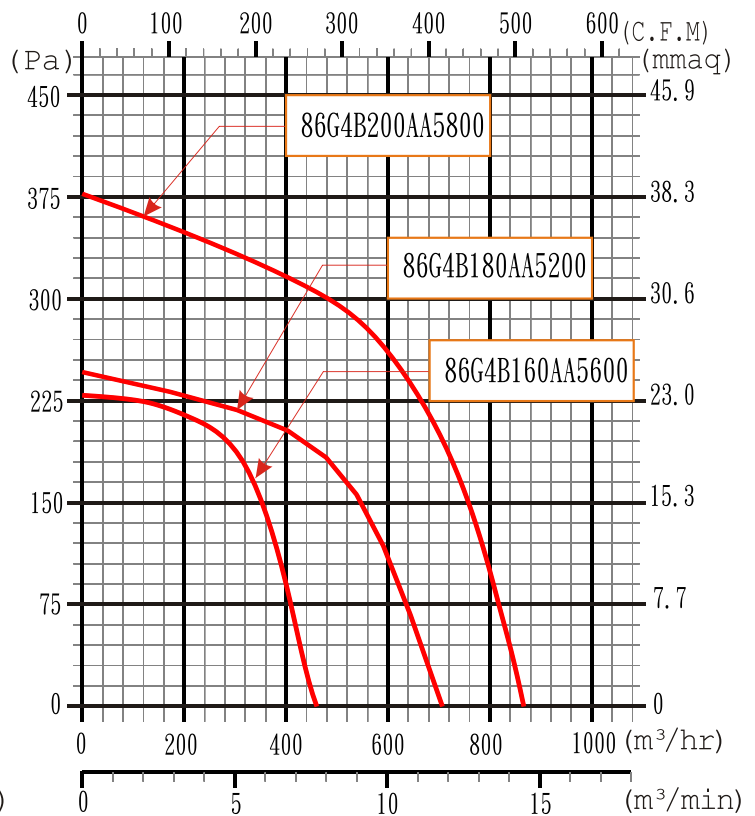


Model Type	Motor	V	Hz	M ³ /hr	RPm	Wi	A	μF/Vac	Pa	dB	Kg
86G2B120AA5700	812BM015	110	60	335	2010	110	1	12/250	0	64	2.5
86G2B146AA5300	812BM015	110	60	525	2060	225	1.72	16/250	0	63	2.6
86G2B160AA5400	812BM042	110	60	565	2200	245	2.24	20/250	0	72	3.9
86G2B160AA5500	812BM042	110	60	625	1980	300	2.76	30/250	0	72	3.9
86G4B160AA5600	814BM025	110	60	445	1400	90	0.6	8/250	0	66	2.9
86G4B180AA5200	814BM035	110	60	640	1180	155	1.12	12/250	0	65	6.4
86G4B200AA5800	814BM060	110	60	890	1050	240	2.3	20/250	0	67	7

60Hz-2Pole



60Hz-4Pole



Single Inlet Centrifugal Fan

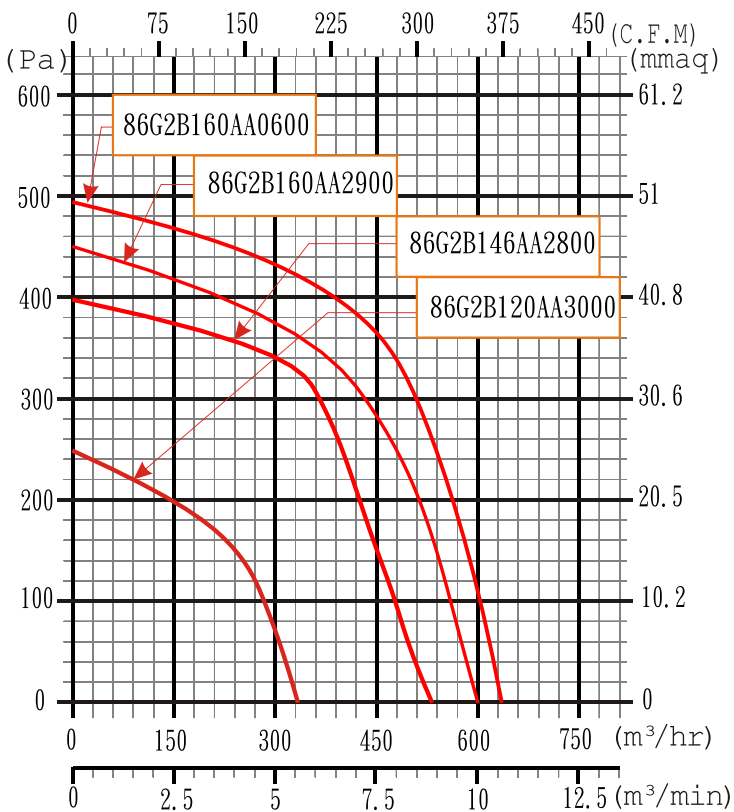
220V 2 Pole Performance

Ball Bearings
 Insulation F class
 Protection IP 44
 Material: Steel Impeller
 Steel Painted Black Scroll

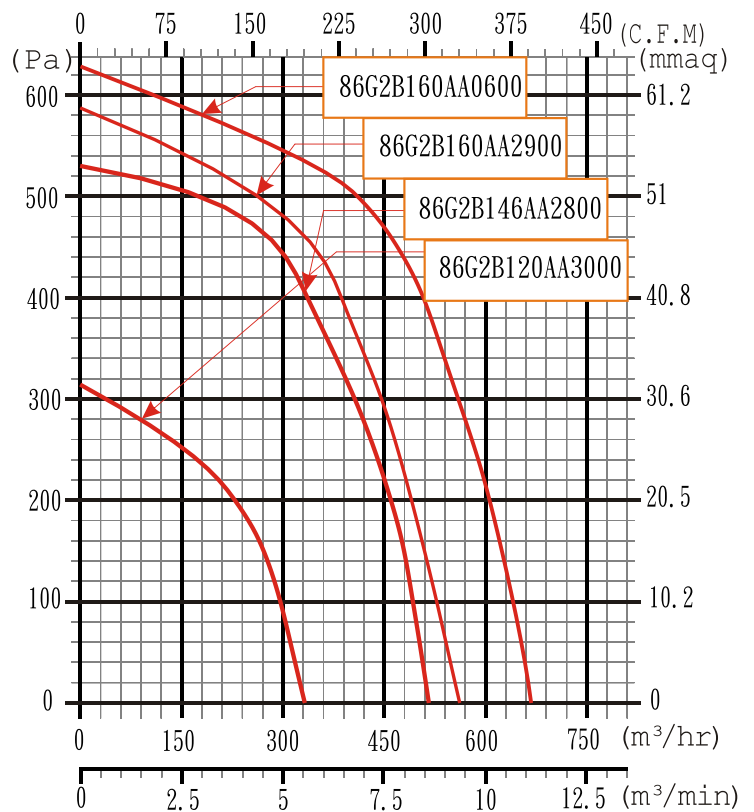


Model Type	Motor	V	Hz	M ³ /hr	RPm	Wi	A	μF/Vac	Pa	dB	Kg
86G2B120AA3000	812BM015	220	50	355	2010	90	0.41	3/450	0	63	2.5
			60	340	2080	110	0.5			64	
86G2B146AA2800	812BM042	220	50	535	2140	190	0.71	4/450	0	64	2.6
			60	525	2060	225	0.86			63	
86G2B160AA2900	812BM042	220	50	600	2075	205	0.93	6/450	0	68	3.9
			60	565	1980	245	1.12			67	
86G2B160AA0600	812BM042	220	50	625	2190	235	1.1	8/450	0	72	3.9
			60	640	2200	300	1.38			72	

50Hz-2Pole



60Hz-2Pole



Single Inlet Centrifugal Fan

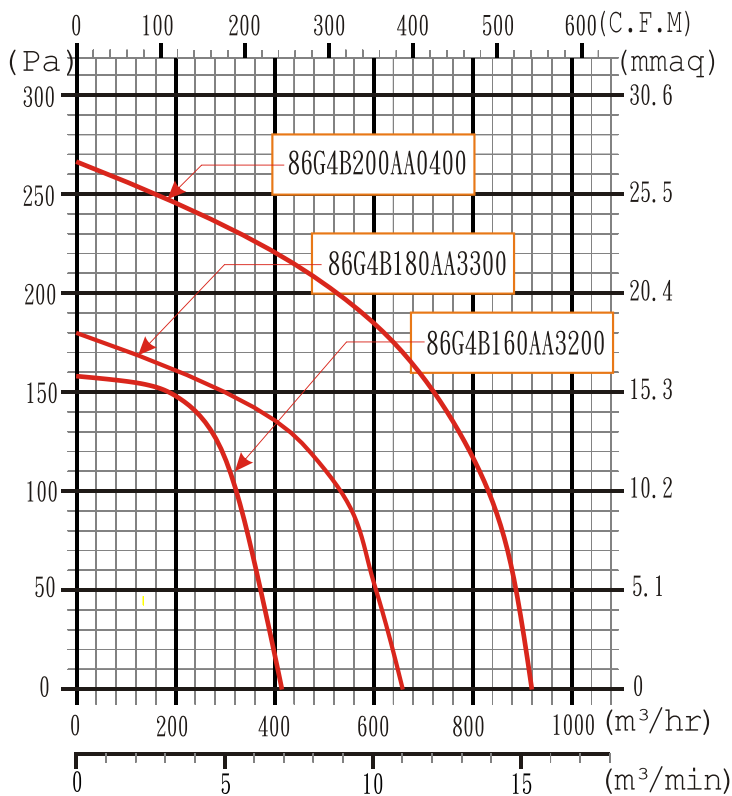
220V 4 Pole Performance

Ball Bearings
 Insulation F class
 Protection IP 44
 Material: Steel Impeller
 Steel Painted Black Scroll

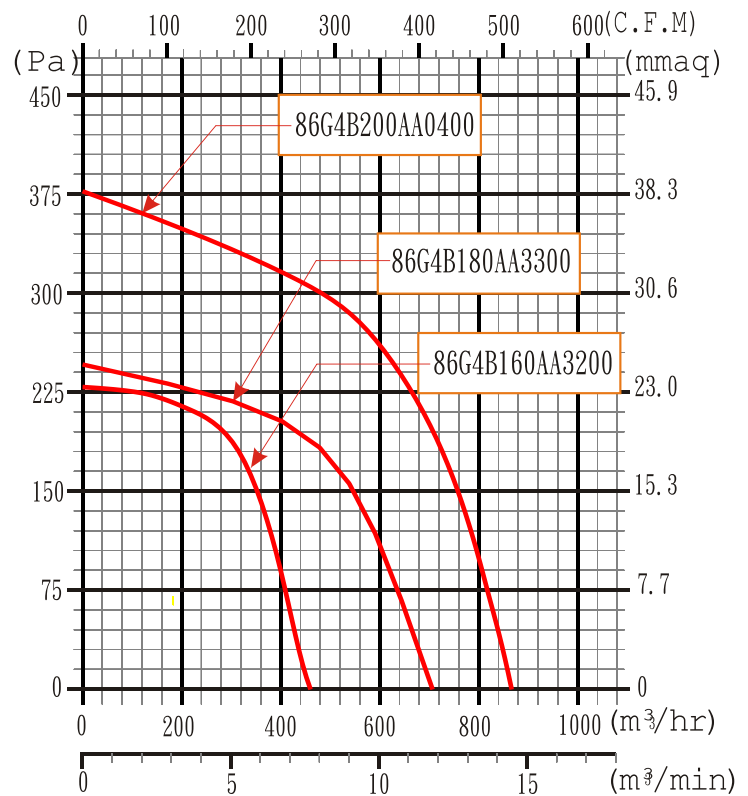


Model Type	Motor	V	Hz	M ³ /hr	RPm	Wi	A	μF/Vac	Pa	dB	Kg
86G4B160AA3200	814BM025	220	50	410	1300	70	0.32	2/450	0	65	2.9
			60	445	1400	90	0.4			66	
86G4B180AA3300	814BM035	220	50	640	1180	120	0.56	3/450	0	65	6.4
			60	670	1220	155	0.7			65	
86G4B200AA0400	814BM042	220	50	960	1140	205	1	4/450	0	68	7
			60	890	1050	240	1.15			67	

50Hz-4Pole

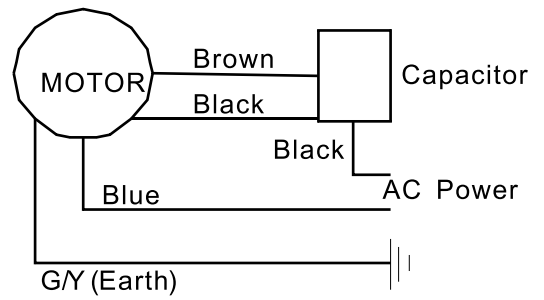


60Hz-4Pole

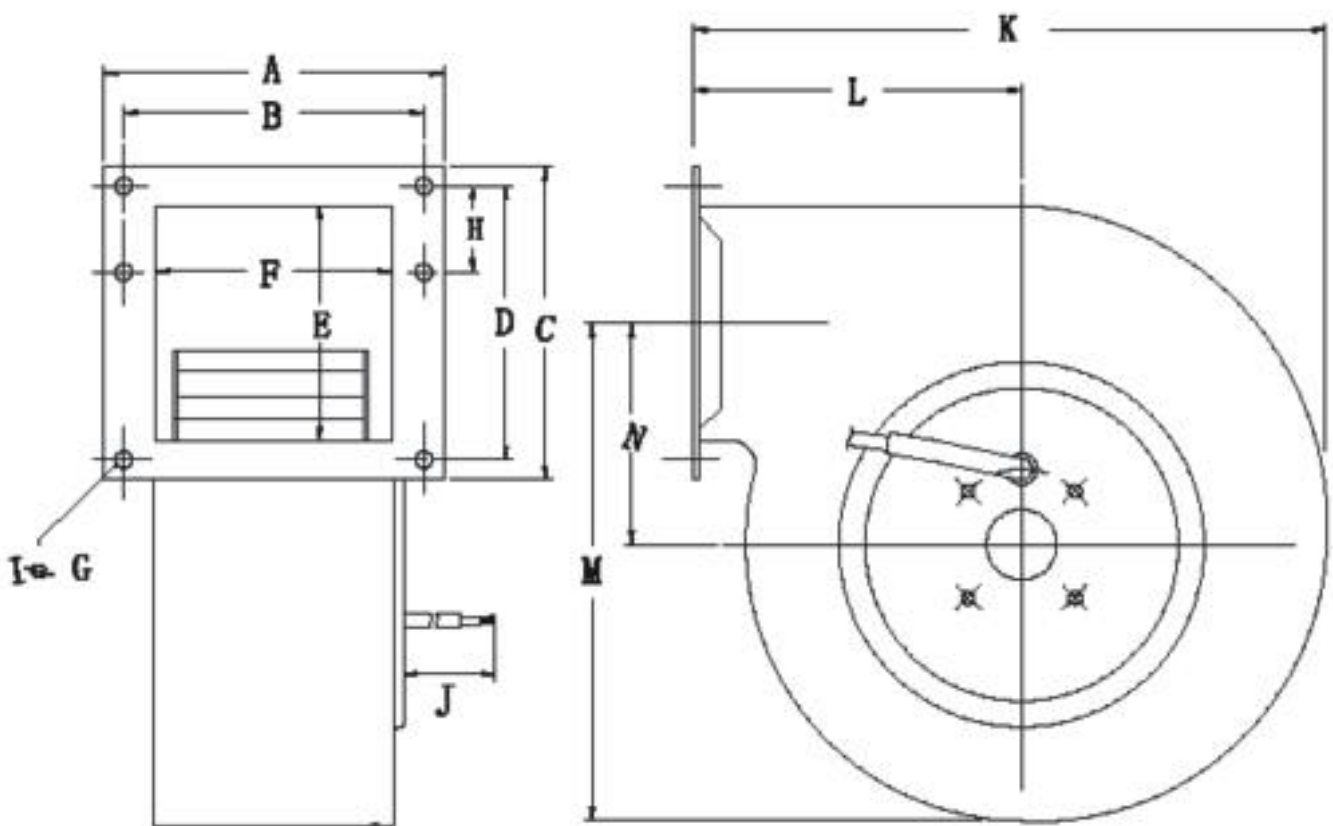


Single Inlet Centrifugal Fan

Outline Dimension Data



Wiring Connection



Model	A	B	C	D	E	F	G	H	I	J	K	L	M	N
86G2B120AA	120	100	110	90	86	78	6.5	~	4	560	208	102	166	77
86G2B146AA	130	115	120	105	90	92	6.5	~	4	560	226	104	203	94
86G2B160AA	130	115	120	105	90	92	6.5	~	4	560	226	104	203	94
86G4B160AA	130	115	120	105	90	92	6.5	~	4	560	226	104	203	94
86G4B180AA	145	125	145	125	110	104	6.5	44	6	560	270	120	245	114
86G4B200AA	180	160	180	160	124	124	6.5	~	4	560	350	170	286	140